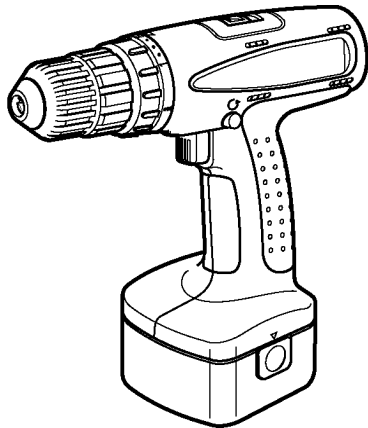


Service Manual

Cordless Drill & Driver

EY6105-U1



SPECIFICATIONS

MAIN UNIT

Motor		DC Motor 12V
No load speed	LOW	45 ~ 300/min (rpm)
	HIGH	165 ~ 1100/min (rpm)
Chuck capacity		φ 0.8 ~ 1.0mm (0 ~ 3/8")
Maximum torque	LOW	19.6Nm (200kgf-cm)
	HIGH	5.9Nm (60kgf-cm)
Clutch torque	Stage 1-18	Approx. 0.5Nm (5kgf-cm, 4.3in-lbs.) – 4.4Nm (45kgf-cm, 39.0in-lbs.)
		For powerful driving and drilling
Overall length		199mm (7-13/16")
Weight (with battery pack)		1.4kg (3.1lbs.) with EY9005

WARNING

This service information is designed for experienced repair technicians only and is not designed for use by the general public. It does not contain warnings or cautions to advise non-technical individuals of potential dangers in attempting to service a product. Products powered by electricity should be serviced or repaired only by experienced professional technicians. Any attempt to service or repair the product or products dealt with in this service information by anyone else could result in serious injury or death.

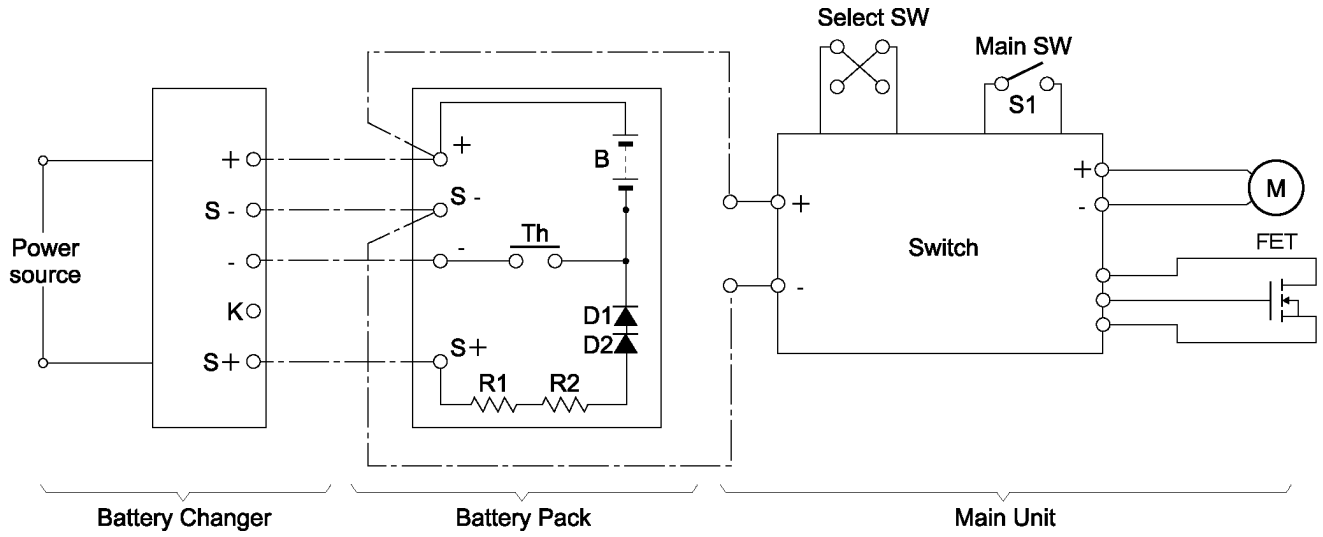
CONTENTS

	Page		Page
1 SCHEMATIC DIAGRAM	2	4 TROUBLESHOOTING GUIDE	7
2 WIRING CONNECTION DIAGRAM	2	5 EXPLODED VIEW	8
3 DISASSEMBLY/ASSEMBLY INSTRUCTIONS	3	6 REPLACEMENT PARTS LIST	9

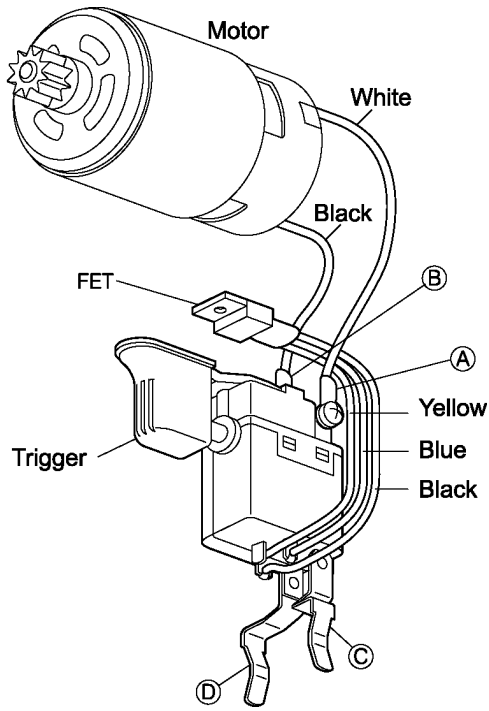
Panasonic[®]

© 2004 Matsushita Electric Works Ltd. All rights reserved. Unauthorized copying and distribution is a violation of law.

1 SCHEMATIC DIAGRAM

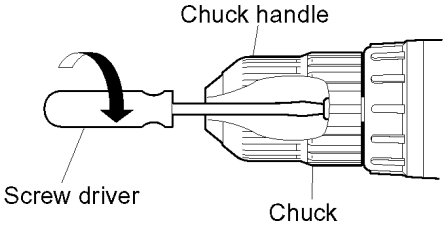
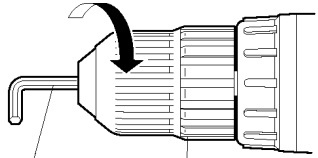
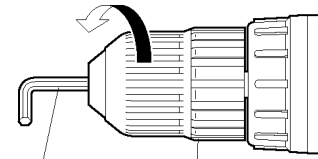



2 WIRING CONNECTION DIAGRAM

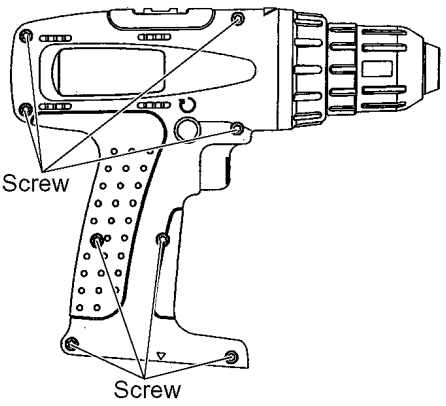


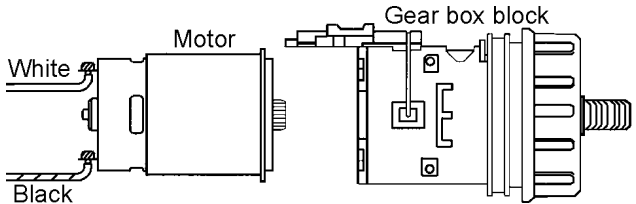
3 DISASSEMBLY/ASSEMBLY INSTRUCTIONS

■HOW TO DISASSEMBLE KEYLESS CHUCK.

Ref. No. 1A	Procedure 1A	Removal of the Keyless Drill Chuck.
	 <p data-bbox="475 477 526 504">Fig.1</p>  <p data-bbox="475 761 526 788">Fig.2</p>  <p data-bbox="475 1041 526 1068">Fig.3</p>	<p data-bbox="847 165 1257 192">Removal of the Keyless Drill Chuck.</p> <ol data-bbox="847 197 1493 369" style="list-style-type: none"> 1. Set the clutch handle to position  and select "LOW" position. 2. Turn the lock collar counterclockwise direction to open the chuck jaws. 3. Use a screwdriver to turn the chuck fastening screw inside the chuck clockwise direction of the arrow, and remove the screw. (See Fig.1) <p data-bbox="847 365 933 392">NOTE :</p> <p data-bbox="884 387 1469 481">If the chuck fastening screw will not come loose, insert the allen wrench into the chuck and lightly tap in the clockwise direction with a hammer to tighten the chuck, and then loosen the chuck fastening screw. (See Fig.2)</p> <ol data-bbox="847 492 1493 560" style="list-style-type: none"> 4. Insert the allen wrench into the chuck, and turn counterclockwise direction in the arrow with holding the unit by the vise to remove the chuck. (See Fig.3)

■HOW TO DISASSEMBLE MAIN UNIT.

Ref. No. 2A	Procedure 2A	Removal of the Housing.
 <p data-bbox="414 728 470 757">Fig.4</p>		<p data-bbox="790 168 1061 212">1. Remove 8 housing screws. (See or Fig.4)</p>

Ref. No. 2B	Procedure 2A → 2B	Removal or attachment of the Motor.
 <p data-bbox="414 1120 470 1149">Fig.5</p>		<p data-bbox="782 840 869 862">(Removal)</p> <p data-bbox="782 862 1412 929">1. Take out the motor with the gear box block from housing. 2. Separate the motor from the gear box block by twisting the motor to unlock tabs.</p> <p data-bbox="782 952 893 974">(Attachment)</p> <p data-bbox="782 974 1412 1019">3. Motor mounting base and the positioning rib of gear case should be set. (See Fig.5)</p>

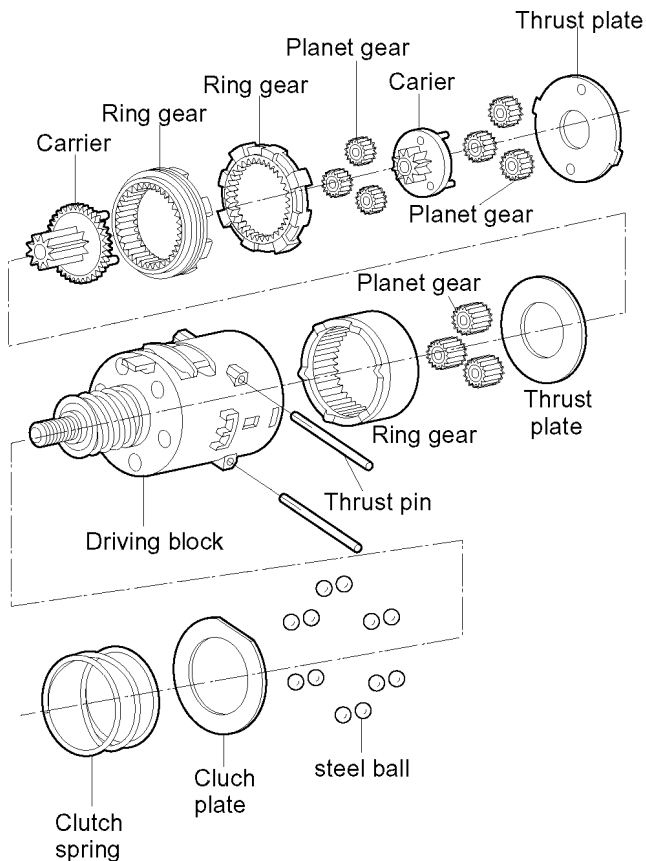


Fig.6

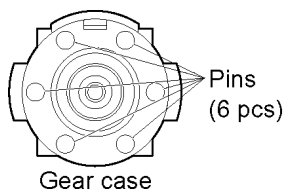


Fig.7

(Removal)

1. Turn the thrust plate to remove.
2. The internal parts of gear box block can be removed one after another. (See Fig.6)

(Attachment)

1. Start from inserting 6 pins into the driving block as shown in the Fig.7.
2. Assemble the other parts in reverse order as shown in the Fig.6.

NOTE :

Carrier, Ring Gear, and Ring Gear A have their own correct directions for proper reassembly.

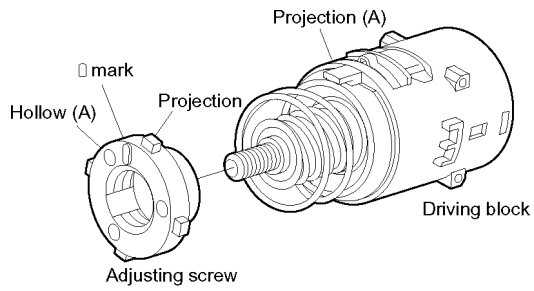
3. Insert 2 pieces of steel ball into each 6 holes of gear case.
4. Set clutch plate and clutch spring.

NOTE :

Clutch plate has its own correct direction for proper reassembly.

Ref.No.2D

Procedure 2A → 2B → 2C → 2D

Assembly of the Adjusting Screw and the Clutch Handle.

1. Align the ◻ mark of adjusting screw with the projection (A) of driving block.
2. Turn the adjusting screw into the driving block about one rotation for clockwise direction.
3. Align the hollow (A) of adjusting screw with the projection (A) of driving block.
4. Set the clutch handle with position 1 on top. (Align the position 1 of clutch handle with the projection (A) of driving block.)
5. Insert the clutch handle with adjusting the tabs of adjusting screw to the groove of inside clutch handle.

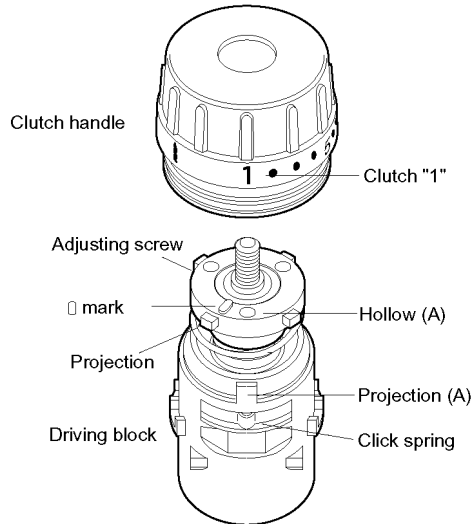
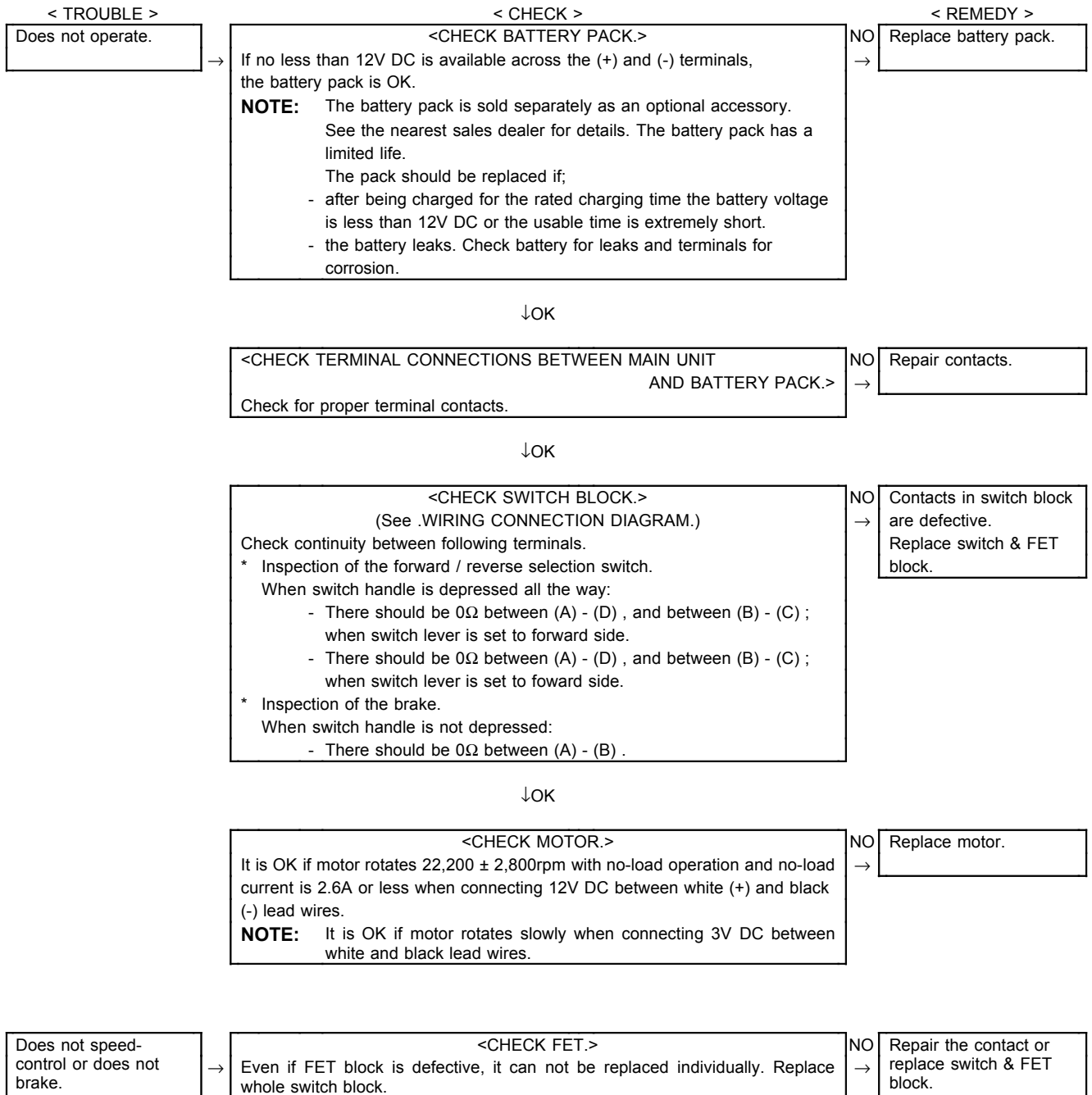


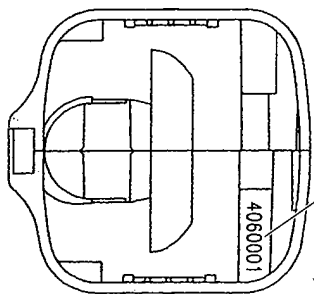
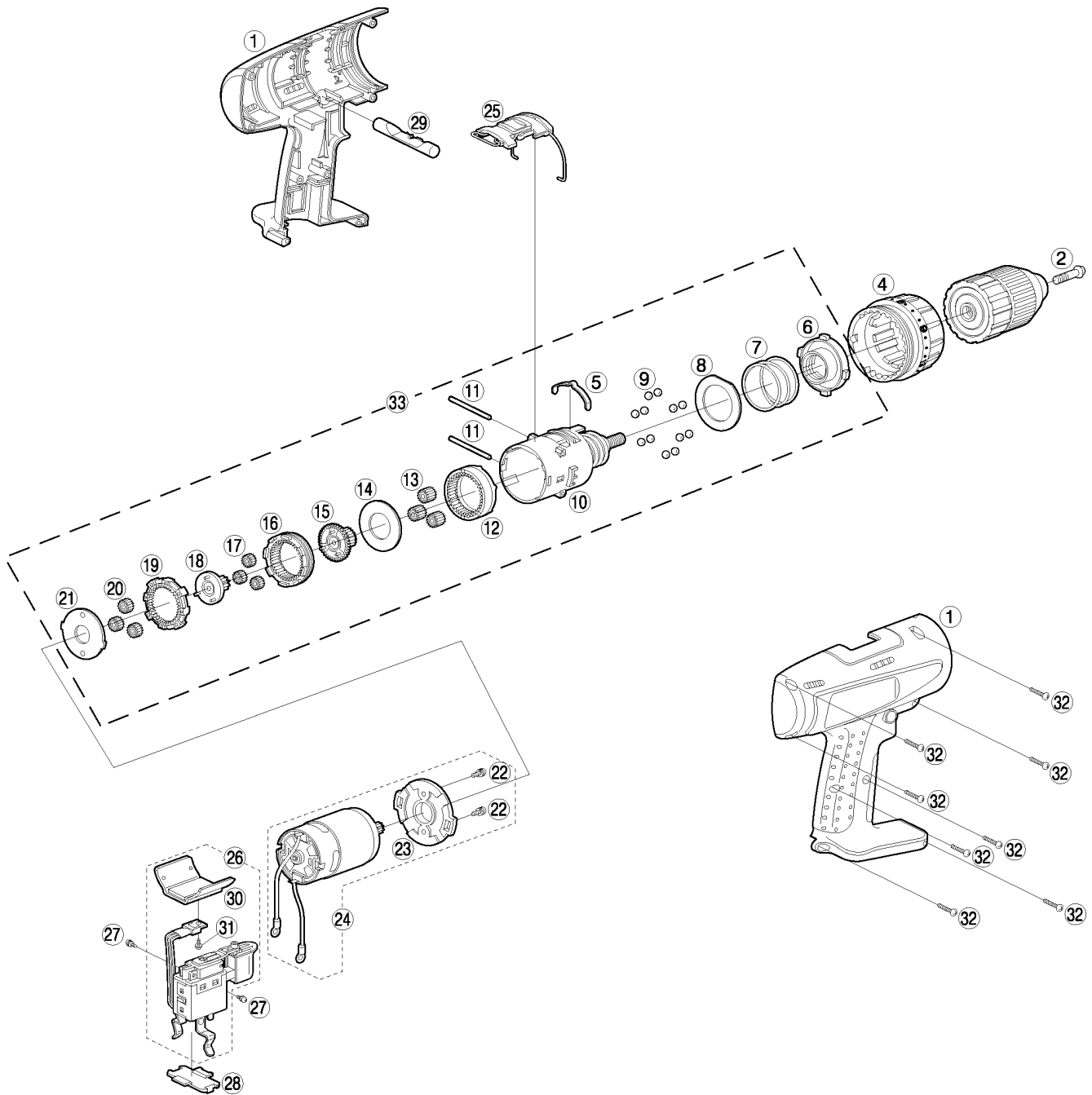
Fig.8

4 TROUBLESHOOTING GUIDE

(Refer to WIRING CONNECTION DIAGRAM)



5 EXPLODED VIEW



Production marking 7 digits.
 2 03 00001
 ↑ ↑
 Year Month Serial number

6 REPLACEMENT PARTS LIST

NOTE:

*B=only available as set

*C=available individually

Ref.No.	Part No.	Part Name & Descriptions	Remarks	Per Unit
1	WEY6105K3078	HOUSING AB SET		▲ 1
2	EYT103L6807	CHUCK FASTENING SCREW		▲ 1
4	EY6406Y3228	CLUTCH HANDLE		▲ 1
5	WEYT107L0457	CLICK SPRING A		▲ 1
6	WEYT107L0637	ADJUSTING SCREW		▲ 1
7	WEYT107L0167	CLUTCH SPRING		▲ 1
8	EY6406L0578	CLUTCH PLATE		▲ 1
9	WEY7000L6967	STEEL BALL	*B ∅ 5 (12pcs/PK)	▲ 12
10	WEYT107L1067	DRIVING BLOCK		▲ 1
11	EY6481L0357	THRUST PIN SET	*C ∅ 2.5*33.6	2
12	WEY6105L1468	RING GEAR		▲ 1
13	WEY6105L1368	PLANET GEAR B	*B (3pcs/PK)	▲ 3
14	EY6200B0857	THRUST PLATE		1
15	WEYT104L1357	CARRIER B		▲ 1
16	WEY6481L1458	RING GEAR A		▲ 1
17	WEYT107L1357	PLANET GEAR	*B (3pcs/PK)	▲ 3
18	WEYT104L1107	CARRIER A		▲ 1
19	EY6101L1477	RING GEAR B		1
20	WEY6105L1378	PLANET GEAR A	*B (3pcs/PK)	▲ 3
21	EY6481L0887	THRUST PLATE		1
22	EY6230L6027	SCREW	*C K3-6	2
23	WEYT104L0027	MOTOR MOUNTING PLATE		▲ 1
24	WEY6105L1008	DC MOTOR		▲ 1
25	WEYT107Y3237	H/L CHANGE HANDLE		▲ 1
26	WEYT107Y2007	SWITCH		▲ 1
27	EY6230L6037	SCREW	*C K3*5	2
28	EY6481L0207	DUST PREVENTIVE PLATE		1
29	WEYT602Y3247	F/R SELECTOR HANDLE		▲ 1
30	WEYT107L2567	HEAT SINK		▲ 1
31	WEY6403L6007	TAPPING SCREW	2.6*5	▲ 1
32	WEY6105K9038	TORX TAPPING SCREW	*C K3*18	▲ 8
33	WEY6105L1458	GEAR BOX BLOCK		▲ 1
-	WEY6405K7018	TOOL CASE		▲ 1
-	WEY6105K8108	OPERATING INSTRUCTIONS		▲ 1

**Battery Pack, and Keyless Chuck are available as an optional accessory. See the nearest sales dealer for details.

***For replacement parts of charger, see the charger service manual. Charger complete set is available as an optional accessory. See the nearest sales dealer for details.